

Load rings

SPECIFICATION

Chain ring

Steel, German Material No. 1.6540

- high-tensile tempered
- 100% electro magnetic tensile tested to EN 1677
- plastic coated, pink

Eye ring

Steel, German Material No. 1.6541

- forged
- high-tensile tempered
- 100 % electro magnetic tensile tested
- plastic coated, pink

Bearing case

Steel, German Material No. 1.6541

- forged
- high-tensile tempered
- 100 % electro magnetic tensile tested
- zinc plated, blue passivated

Screw

Steel

Tensile strength class 10.9 (1000 N/mm²)

Finish: Delta Tone



INFORMATION

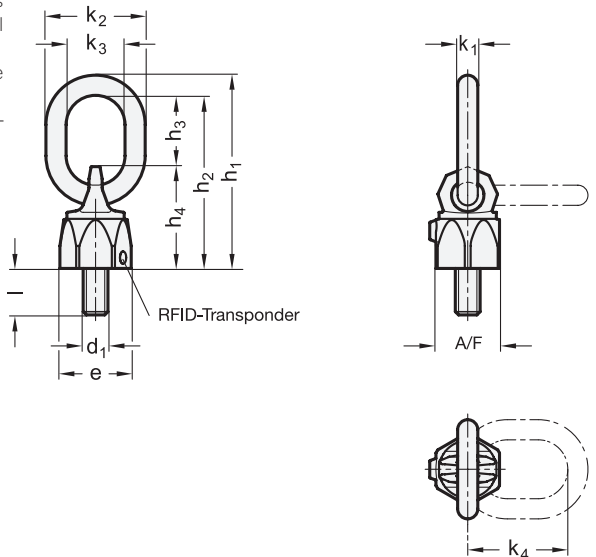
Load rings GN 5860 rotate running in ball bearings. The freely rotating ring allows the bolts to hold loads in any tensile direction.

The rated load-bearing capacity is shown clearly on the swivel eye bolt. It is valid for the most unfavourable case in term of the types of load listed opposite. Load rings GN 5860 comply with Mechanical Engineering Directive 2006 / 42 / EG and are BG tested.

The integrated RFID transponder clearly marks and identifies the sling and lifting gear, e.g. during the prescribed regular inspection.

ON REQUEST

- other screw length l



GN 5860

Description	d1	l	e	h1	h2	h3	h4	k1	k2	k3	k4	A/F	Tightening torque in Nm	Nominal load in t	⚖️
GN 5860-M8-13	M 8	13	30	84	76	31	45	8	45	29	44	28	10	0.30	175
GN 5860-M10-17	M 10	17	36	86	78	31	47	8	45	29	44	30	10	0.45	205
GN 5860-M12-21	M 12	21	42	117	107	49	58	10	58	35	65	36	10	0.60	400
GN 5860-M16-25	M 16	25	48	126	113	46	67	13	64	38	65	41	30	1.30	664
GN 5860-M20-33	M 20	33	62	150	137	54	83	13	61	35	77	55	70	2.00	1294
GN 5860-M24-40	M 24	40	81	191	173	66	107	18	76	40	94	70	150	3.50	2647
GN 5860-M30-50	M 30	50	99	243	221	90	131	22	94	50	126	85	225	5.00	4950



Method of mounting										
Number	1	1	2	2	2	2	2	3 and 4	3 and 4	3 and 4
Angles of inclination	0°	90°	0°	90°	0° to 45°	45° to 60°	asymm.	0° to 45°	45° to 60°	asymm.
Factor	1	1	2	2	1.4	1	1	2.1	1.5	1
M 8	0.60 t	0.30 t	1.20 t	0.60 t	0.42 t	0.30 t	0.30 t	0.63 t	0.45 t	0.30 t
M 10	0.90 t	0.45 t	1.80 t	0.90 t	0.63 t	0.40 t	0.40 t	0.94 t	0.67 t	0.40 t
M 12	1.20 t	0.60 t	2.40 t	1.20 t	0.84 t	0.60 t	0.60 t	1.26 t	0.90 t	0.60 t
M 16	2.60 t	1.30 t	5.20 t	2.60 t	1.82 t	1.30 t	1.30 t	2.73 t	1.95 t	1.30 t
M 20	4.00 t	2.00 t	8.00 t	4.00 t	2.80 t	2.00 t	2.00 t	4.25 t	3.00 t	2.00 t
M 24	7.00 t	3.50 t	14.00 t	7.00 t	4.90 t	3.50 t	3.50 t	7.35 t	5.25 t	3.50 t
M 30	10.00 t	5.00 t	20.00 t	10.00 t	7.00 t	5.00 t	5.00 t	10.50 t	7.50 t	5.00 t

SAFETY INSTRUCTIONS

The above load capacity table shows the maximum loads in metric tonnes as factor of the load ring type and at an operating temperature range of -40 °C to +100 °C, with a safety coefficient of 4 taken into account for all values.

The load ring GN 5860 may be used only if it is bolted with the minimum screw-in depth which depends on the material and if the bolt contact surface is plane and fixed at a right angle to the tap hole.

If permanently mounted in place, the swivel eye bolt must rotate freely by 360° and must not rest on edges or other fixture, e.g. crane hooks. The load rings are not suitable for permanent rotary movement under load exposure. Operating instructions with more details and specifications are included with every delivery (see www.elesa-ganter.com).

